

S

SERIES



SELECTION

Series line-up consists of two types of indoor units.
Choose the model that best matches room conditions.

STEP 1 SELECT INDOOR UNIT

Select the optimal unit and capacity required to match room construction and air conditioning requirements.



Units with Wired Remote Controller

- SLZ-KA25VA
- SLZ-KA35VA
- SLZ-KA50VA

*Requires SLP-2AAW grille.

Units with Wireless Remote Controller

- SLZ-KA25VAL
- SLZ-KA35VAL
- SLZ-KA50VAL

*Requires SLP-2ALW grille.



Units with Wired Remote Controller

- SEZ-KD25VA
- SEZ-KD35VA
- SEZ-KD50VA
- SEZ-KD60VA
- SEZ-KD71VA

Units with Wireless Remote Controller

- SEZ-KD25VAL
- SEZ-KD35VAL
- SEZ-KD50VAL
- SEZ-KD60VAL
- SEZ-KD71VAL

STEP 2 SELECT OUTDOOR UNIT

There is one outdoor unit for respective indoor units.



SUZ-KA25/35VA



SUZ-KA50/60/71VA

* To confirm compatibility with the MXZ Series multi-type system, refer to the MXZ Series page.

SLZ SERIES

Compact, lightweight ceiling cassette units with 4-way air outlets provide maximum comfort by evenly distributing airflow throughout the entire room.

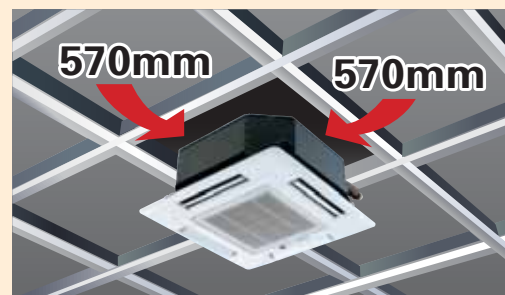
SLZ-KA25/35/50VA(L)



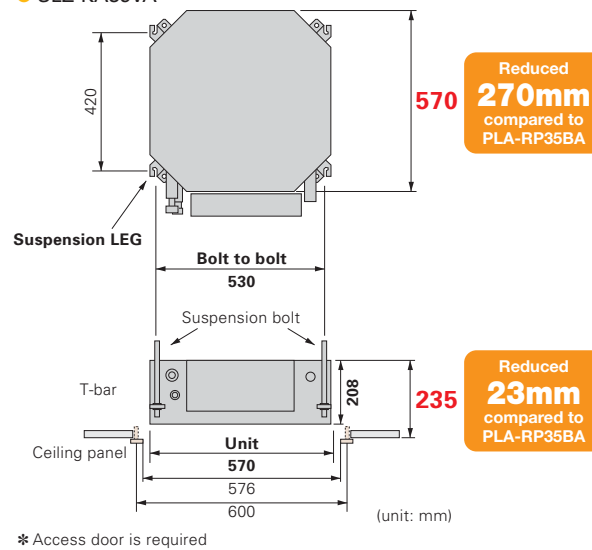
Compact Panel Size

The attractive SLZ Series ceiling cassette units offer a slim 570mm width and a 4-way air outlet. The size and shape are a perfect match for ceilings made using 2'x2' construction, and the light 16.5kg package makes installation easy.

The compact body matches 2'x2' (600mm x 600mm) ceiling construction specifications.



● SLZ-KA35VA

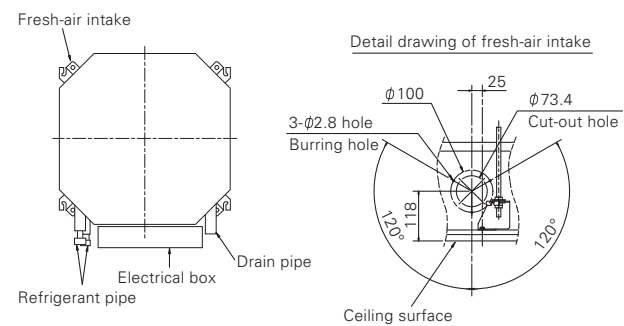


Advanced Inverter Control – Efficient Operation All the Time

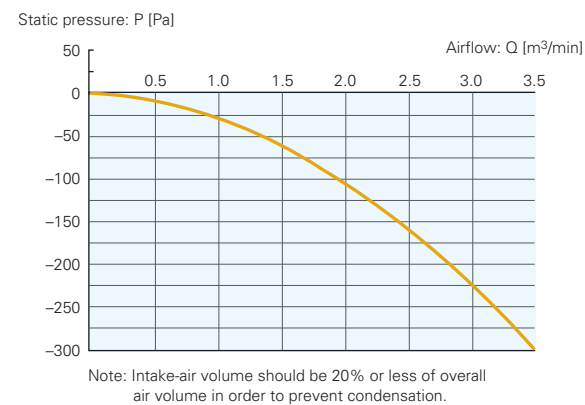
Mitsubishi Electric's cutting-edge inverter technologies are adopted to provide automatic adjustment of operation load according to need. This reduces excessive consumption of electricity, and thereby realises increased energy savings.

Fresh-air Intake

A duct hole is provided in the main body, making it possible to intake fresh air from outside.



● Intake-air volume



SLZ-KA SERIES



Indoor Unit



SLZ-KA25/35/50VA(L)

Outdoor Unit



SUZ-KA25/35VA

SUZ-KA50VA



Remote Controller



Panel

SLP-2AAW (for SLZ-KA VA)
SLP-2ALW (for SLZ-KA VAL)



Type		Inverter Heat Pump							
Indoor Unit		SLZ-KA25VA	SLZ-KA25VAL	SLZ-KA35VA	SLZ-KA35VAL	SLZ-KA50VA	SLZ-KA50VAL		
Outdoor Unit		SUZ-KA25VA		SUZ-KA35VA		SUZ-KA50VA			
Power Supply		Outdoor power supply							
Cooling		230 / Single / 50							
Capacity	Rated	kW	2.5	2.5	3.5	3.5	4.6	4.6	
	Min - Max	kW	0.9 - 3.2	0.9 - 3.2	1.0 - 3.9	1.0 - 3.9	1.1 - 5.2	1.1 - 5.2	
	Total Input	Rated	kW	0.690	0.690	1.060	1.060	1.630	1.630
EER	Rated		3.62	3.62	3.30	3.30	2.82	2.82	
	EEL Rank		A	A	A	A	C	C	
Heating	Capacity	Rated	kW	3.0	3.0	4.0	4.0	5.0	5.0
	Min - Max	kW	0.9 - 4.5	0.9 - 4.5	0.9 - 5.0	0.9 - 5.0	0.9 - 6.5	0.9 - 6.5	
	Total Input	Rated	kW	0.830	0.830	1.100	1.100	1.550	1.550
COP	Rated		3.61	3.61	3.64	3.64	3.22	3.22	
	EEL Rank		A	A	A	A	C	C	
Operating Current (max)			8.5	8.5	9.6	9.6	16.7	16.7	
Indoor Unit	Input	Rated	kW	0.040	0.040	0.052	0.052	0.053	0.053
	Operating Current (max)		A	0.4	0.4	0.4	0.4	0.7	0.7
Dimensions	H x W x D	mm	235 - 570 - 570	235 - 570 - 570	235 - 570 - 570	235 - 570 - 570	235 - 570 - 570	235 - 570 - 570	
	Weight	kg	17	17	17	17	17	17	
Air Volume [Lo-Mid-Hi]	Rated	m ³ /min	8 - 9 - 10	8 - 9 - 10	8 - 9 - 11	8 - 9 - 11	8 - 9 - 11	8 - 9 - 11	
	External Static Pressure	Pa	-	-	-	-	-	-	
Sound Level [Lo-Mid-Hi]	Rated	dB(A)	28 - 31 - 37	28 - 31 - 37	29 - 33 - 38	29 - 33 - 38	30 - 34 - 39	30 - 34 - 39	
	Panel	Dimensions	H x W x D	mm	20 - 650 - 650	20 - 650 - 650	20 - 650 - 650	20 - 650 - 650	20 - 650 - 650
Outdoor Unit	Weight	kg	3	3	3	3	3	3	
	Dimensions	H x W x D	mm	550 - 800 - 285	550 - 800 - 285	550 - 800 - 285	550 - 800 - 285	850 - 840 - 330	850 - 840 - 330
Air Volume	Cooling	Rated	m ³ /min	34.3	34.3	33.4	33.4	49.0	49.0
	Heating	Rated	m ³ /min	32.3	32.3	33.4	33.4	49.0	49.0
Sound Level	Cooling - Silent	Rated	dB(A)	46	46	47	47	53	53
	Heating	Rated	dB(A)	46	46	48	48	55	55
Operating Current (max)	Rated	A	8.16	8.16	9.18	9.18	16.0	16.0	
	Breaker Size	A	10	10	10	10	20	20	
Ext. Piping	Diameter	Liquid / Gas	mm	6.35 / 9.52	6.35 / 9.52	6.35 / 9.52	6.35 / 9.52	6.35 / 12.7	6.35 / 12.7
	Max. Length	Out-In	m	20	20	20	20	30	30
	Max. Height	Out-In	m	12	12	12	12	30	30
Guaranteed Operating Range [Outdoor]	Cooling	°C	-10 ~ +46	-10 ~ +46	-10 ~ +46	-10 ~ +46	-15 ~ +43	-15 ~ +43	
	Heating	°C	-10 ~ +24	-10 ~ +24	-10 ~ +24	-10 ~ +24	-10 ~ +24	-10 ~ +24	

SEZ SERIES

This concealed ceiling-mounted indoor unit series is compact, and fits easily into rooms with lowered ceilings. Highly reliable energy-saving performance makes it a best match choice for concealed unit installations.

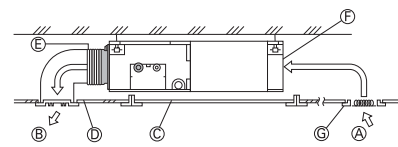


SEZ-KD25-71VA(L)



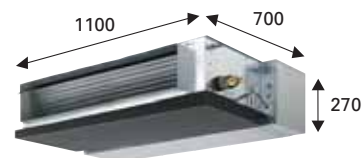
Compact Ceiling-concealed Units

Only the intake-air grille and outlet vents are visible when using this ceiling-concealed indoor unit. The rest of the unit is conveniently hidden in the ceiling cavity, essentially leaving the ceiling and walls free of bulky looking devices and maintaining a high-class interior décor. The compact units require minimal space and can be installed in buildings with lowered ceilings, where exposed units were the rule in the past.



- Ⓐ Air inlet
- Ⓑ Air outlet
- Ⓒ Access door
- Ⓓ Ceiling surface
- Ⓔ Canvas duct
- Ⓕ Air filter
- Ⓖ Inlet grille

Dimension Comparison



SEZ-KA35VA

Width reduced by **110mm**



SEZ-KD35VA

Height reduced by **70mm**

"Energy Rank A" Rating



Incorporating the latest inverter technologies has resulted in the SEZ Series achieving an "Energy Rank A" rating for both the 25 and 35 models.

Increased Selection of Fan Speeds and Static Pressure Levels

DC fan motor settings have been increased to accommodate more application needs. Three fan speed settings (Low, Medium and High) and four static pressure levels (5, 15, 35 and 50Pa) are now available.

	External Static Pressure
SEZ-KC25VA	5 Pa
SEZ-KA35-71VA	30/50 Pa
SEZ-KD25-71VA	5/15/35/50 Pa

Four Levels Available for All Models

We've lowered the minimum static pressure level, resulting in less room noise when the optimum static pressure is selected.

External Static Pressure	SPL (Low Fan Mode)	
	SEZ-KA	SEZ-KD
30 Pa	30dB	15 Pa
35	30dB	23dB
50	31dB	30dB
60	32dB	30dB
71	32dB	30dB

Maximum noise reduced by 7dB

Drain Pump (Optional)

The PAC-KE07DM-E drain pump is now available as an option. With the pump, a drain hose length of up to 550mm can be used, adding to increased installation possibilities.

SEZ-KD SERIES



Indoor Unit



SEZ-KD25/35/50/60/71VA(L)

Outdoor Unit



SUZ-KA25/35VA



SUZ-KA50/60/71VA



Type	Inverter Heat Pump								
Indoor Unit	SEZ-KD25VA(L)	SEZ-KD35VA(L)	SEZ-KD50VA(L)	SEZ-KD60VA(L)	SEZ-KD71VA(L)				
Outdoor Unit	SUZ-KA25VA	SUZ-KA35VA	SUZ-KA50VA	SUZ-KA60VA	SUZ-KA71VA				
Power Supply	Outdoor power supply								
Source	230 / Single / 50								
Cooling	Capacity	Rated	kW	2.5	3.5	5.0	5.5	7.1	
		Min - Max	kW	0.9 - 3.2	1.0 - 3.9	1.1 - 5.6	1.1 - 6.3	0.9 - 8.3	
	Total Input	Rated	kW	0.780	1.090	1.780	1.890	2.530	
	EER			3.21	3.21	2.81	2.91	2.81	
Heating	Capacity	Rated	kW	3.0	4.0	6.0	7.0	8.1	
		Min - Max	kW	0.9 - 4.5	0.9 - 5.0	1.1 - 7.2	0.9 - 8.0	0.9 - 10.4	
	Total Input	Rated	kW	0.830	1.108	1.870	2.050	2.370	
	COP			3.61	3.61	3.21	3.41	3.42	
Operating Current (max)				8.6	9.7	16.7	16.7	16.9	
Indoor Unit	Input	Rated	kW	0.040	0.050	0.070	0.070	0.100	
	Operating Current (max)		A	0.4	0.5	0.7	0.7	0.9	
	Dimensions	H x W x D	mm	200 - 790 - 700	200 - 990 - 700	200 - 990 - 700	200 - 1190 - 700	200 - 1190 - 700	
	Weight		kg	18	21	23	27	27	
	Air Volume [Lo-Mid-Hi]		m ³ /min	6 - 7 - 9	7 - 9 - 11	10 - 13 - 15	12 - 15 - 18	12 - 16 - 20	
	External Static Pressure		Pa	5 - 15 - 35 - 50	5 - 15 - 35 - 50	5 - 15 - 35 - 50	5 - 15 - 35 - 50	5 - 15 - 35 - 50	
	Sound Level [Lo-Mid-Hi]		dB(A)	22 - 25 - 29	23 - 28 - 33	29 - 33 - 36	29 - 33 - 37	29 - 34 - 39	
	Outdoor Unit	Dimensions	H x W x D	A	550 - 800 - 285	550 - 800 - 285	850 - 840 - 330	850 - 840 - 330	850 - 840 - 330
		Weight		mm	33	37	53	53	58
		Air Volume	Cooling	Rated	kg	34.3	33.4	49.0	49.0
		Heating	Rated	m ³ /min	32.3	33.4	49.0	49.0	
Sound Level		Cooling	Rated	m ³ /min	46	47	53	53	
		Heating	Rated	dB(A)	46	48	55	55	
Operating Current (max)				8.2	9.2	16.0	16.0	16.0	
Breaker Size			A	10	10	20	20	20	
Ext. Piping	Diameter	Liquid / Gas	A	6.35 / 9.52	6.35 / 9.52	6.35 / 12.7	6.35 / 15.88	9.52 / 15.88	
	Max. Length	Out-In	mm	20	20	30	30	30	
	Max. Height	Out-In	m	12	12	30	30	30	
Guaranteed Operating Range [Outdoor]	Cooling	°C		-10 ~ +46	-10 ~ +46	-15 ~ +43	-15 ~ +43	-10 ~ +43	
	Heating	°C		-10 ~ +24	-10 ~ +24	-10 ~ +24	-10 ~ +24	-10 ~ +24	